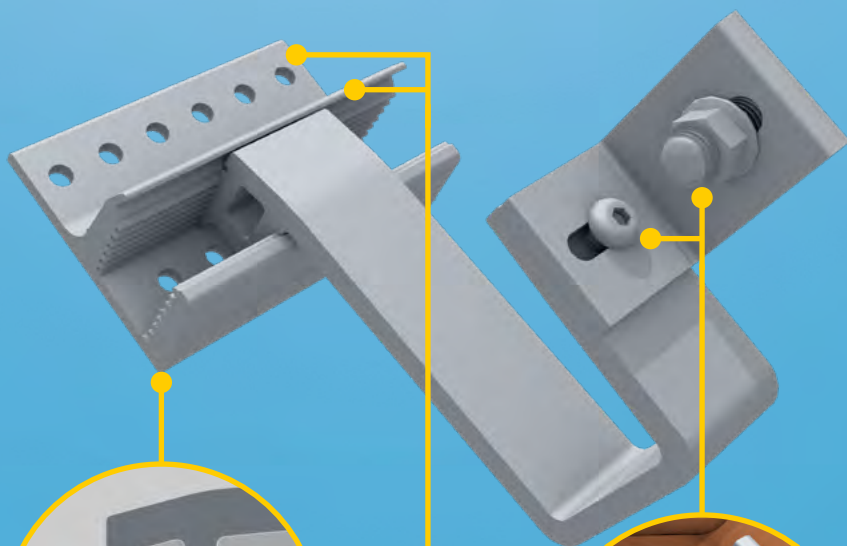


TRITEC

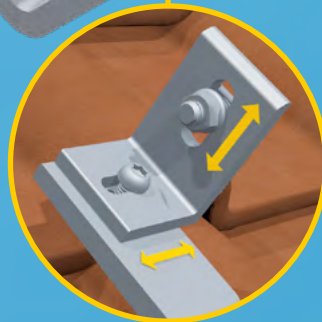
ENERGY FOR A BETTER WORLD

TRI-STAND ROOF HOOK PRO

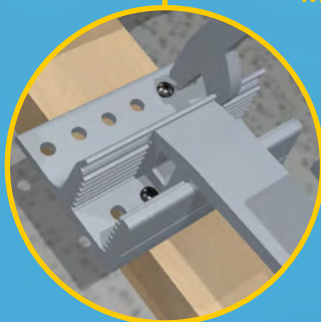
The versatile, robust and user-friendly component for PV insertion systems.



Height-adjustable base plate



Mounting bracket for easy adjustment



Quick and easy positioning

The main advantages:

- Mounting bracket with two slotted holes for easy adjustment
- Height-adjustable base plate can be adjusted in 5 mm steps
- 120 mm wide base plate with several connection options
- Quick positioning and fixing of the bracket
- Load capacity of up to 140 kg and 200 kg for maximum snow loads
- Horizontal and vertical rail connection possible

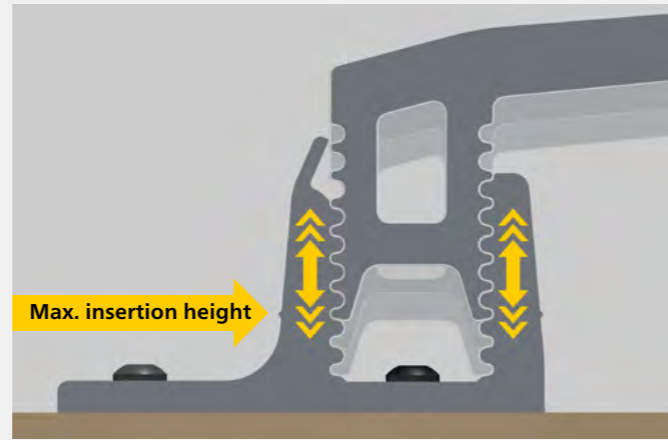
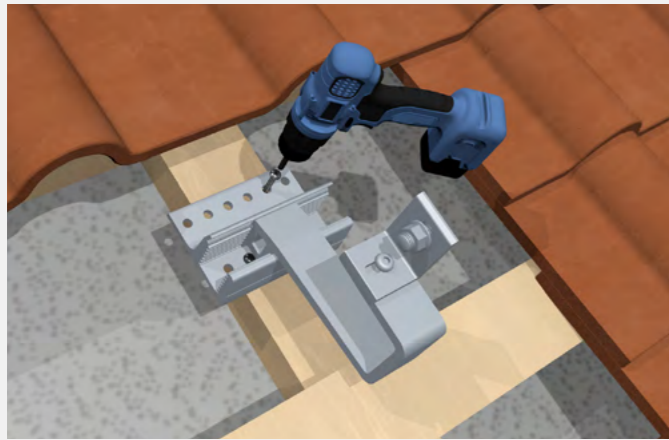
www.tritec-energy.com

ROOF HOOKS FOR PITCHED ROOFS

How to increase your efficiency with ease

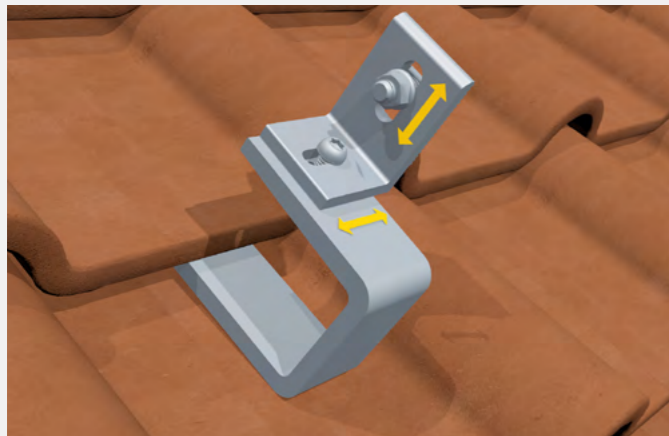
The Roof Hook PRO stands out thanks to its well-thought-out design and versatile applications, making it the ideal solution for challenging installation scenarios. The wide, height-adjustable base plate offers a range of mounting options, whilst the integrated mounting bracket enables precise vertical and horizontal rail attachment. The Roof Hook PRO is therefore a flexible tool for TRITEC insertion system.

Roof hook PRO - the ideal solution for PV systems



Variable connection options

With a 120 mm wide base plate and variable connection options, the roof hook offers maximum flexibility when positioning on the rafter.



Simple adjustment

The mounting bracket has two slotted holes that enable precise and uncomplicated adjustment in horizontal and vertical directions on the profile surface. This ensures exact alignment and improves installation accuracy.

Height-adjustable and adaptable

The height-adjustable base plate enables precise adjustment in 5 mm increments to batten thicknesses of 30, 35 and to a maximum of 40 mm and ensures optimum integration.



Quick and easy fixing

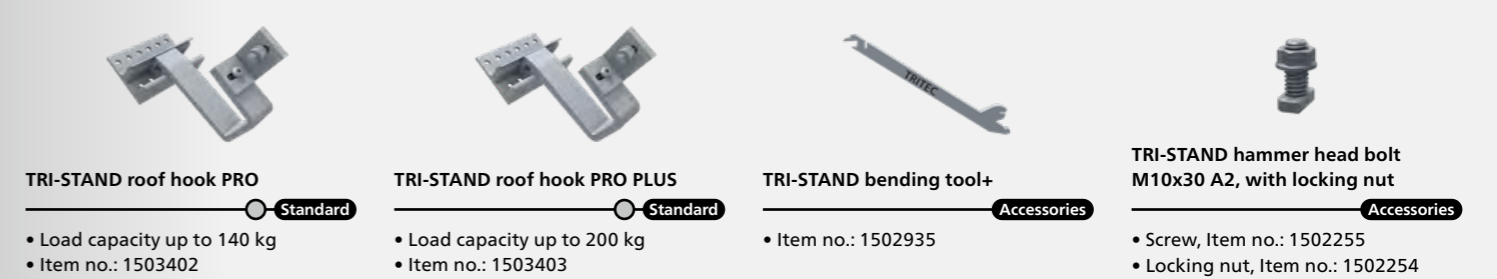
The bracket is attached to the panel simply and efficiently by bending it with the bending tool+. This method enables time-saving and precise installation.

THE SYSTEM COMPONENTS

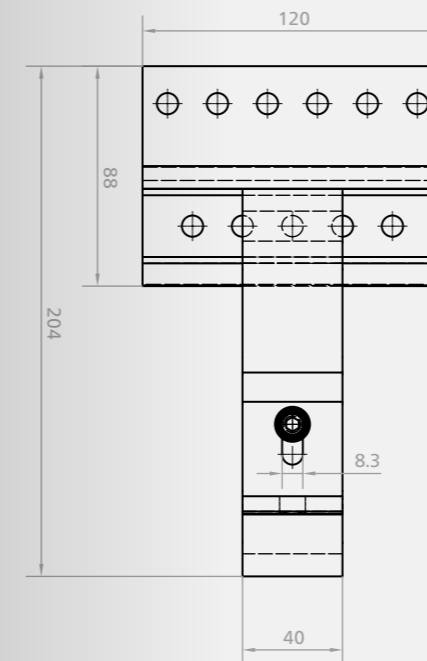
Easy assembly with high quality components

The TRI-STAND PRO roof hook is supplied pre-assembled with a mounting bracket, allowing for flexible horizontal and vertical rail connections, and is compatible with the TRI-STAND insertion system. With a load capacity of up to 140 kg, this roof hook is specifically designed to withstand heavy snow loads. For applications requiring the highest load capacities, the PRO PLUS roof hook variant is available, supporting loads of up to 200 kg.

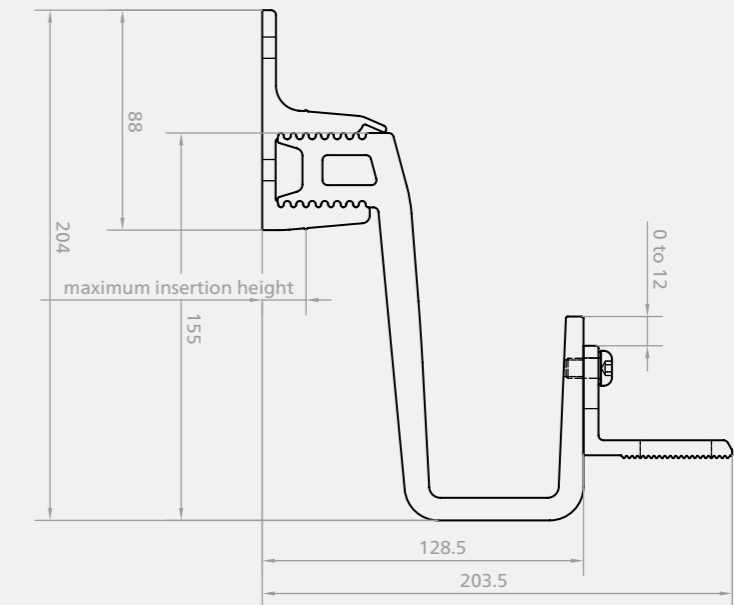
Colour key: ● black | ● blank



Roof hook PRO supervision



Roof hook PRO side view



LEARN MORE

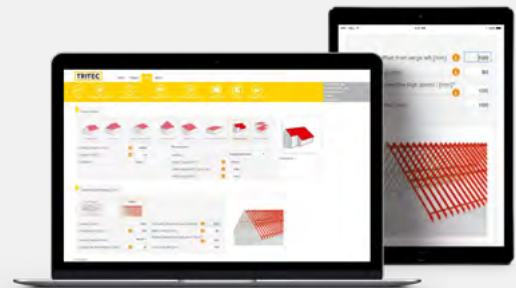
Videos, planning and contact

TRITEC



Simply scan the QR code or visit the following link for more information about the PRO roof hook.

<https://www.tritec-energy.com/en/pv-mounting-systems/roof-hooks-photovoltaics/>



Just scan the QR code or visit the following link to watch the training video on our TRI-DESIGN planning software.

<https://www.youtube.com/watch?v=S9WGviC8x2I>

The optimal mounting solution for every roof

TRITEC mounting systems combine nearly 40 years of photovoltaic experience. Our own products TRI-STAND, TRI-ROOF+, TRI-CLIP Ready, TRI-FLAT Easyspeed and Easygreen offer optimum PV mounting solutions for the various requirements of different roof types and alignments. We attach great importance to the high-quality processing of the components as well as to the durability of the substructure.

For further information on our products and services, please visit our website at www.tritec-energy.com or our online shop at shop.tritec-energy.com.

You can also contact our experts directly at any time, who will be happy to answer any questions you may have.

Contact us at
info@tritec-energy.com

Website & online shop
www.tritec-energy.com
shop.tritec-energy.com