

# TRITEC

ENERGY FOR A BETTER WORLD

## TRI-CLIP

The economical clamping system  
for PV systems on tiled roofs.

- simple
- economical
- efficient



### The main advantages:

- Cost-effective, economical on-roof system
- Statically tested for wind and snow loads
- Suitable for all common framed solar modules

[www.tritec-energy.com](http://www.tritec-energy.com)

# TRI-CLIP

## Classic mounting system at a low price

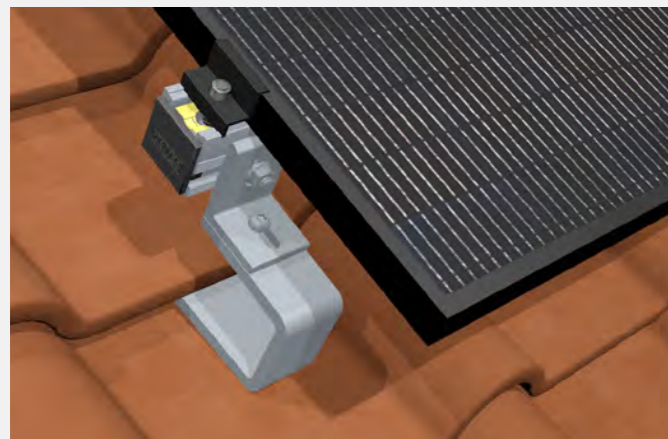
Realize your projects enormously cost-efficient: Thanks to smart planning software and reliable components, the on-roof clamping system TRI-CLIP is safely installed on the tiled roof. The PV clamping system is the economical and safe solution for many applications - from single-family homes to large commercial PV systems.

### TRI-CLIP is installed so easily



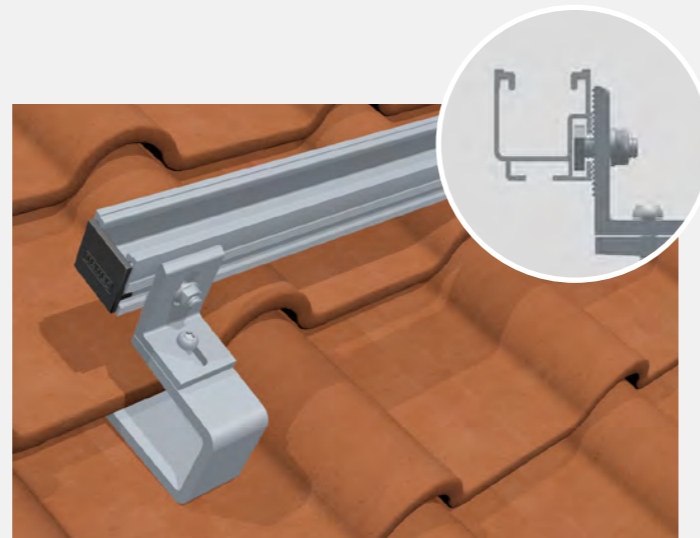
#### 1. Mounting the roof hook

After checking the substructure of the roof for its point load bearing capacity, the roof hooks are mounted according to the design plan.



#### 3. Fix modules with TRI-CLIP

The end and middle clamps are attached and tightened to profiles and modules according to the design plan.



#### 2. Mounting the base profile (UP-X)

The pre-assembled profiles are then securely installed on the roof hooks with the M10 hammerhead screw.

# THE SYSTEM COMPONENTS

## Easy assembly with high quality components

With TRITEC you have the choice: Some components for TRI-CLIP are available in the color selection „black“ and „blank“ (aluminum silver). Completely tailored to your needs: The profiles and variants marked with \* are available in different lengths on request.

Colour key: ● black | ● blank



**TRI-STAND universal profile UP-X 3,70 m** Standard

- black, item no.: 1503404
- blank, item no.: 1503352
- other lengths on request\*



**TRI-STAND universal profile connector UP-CX** Standard

- pre-assembled incl. hammer head bolt
- black, item no.: 1503404
- blank, item no.: 1503406



**TRI-STAND end cap for UP-X profile** Accessories

- item no.: 1503185



**TRI-STAND roof hook PRO** Standard

- item no.: 1503402



**TRI-STAND roof hook PRO PLUS** Standard

- item no.: 1503403



**TRI-CLIP middle clamp 30-40 mm** Standard

- black, item no.: 1503099
- blank, item no.: 1503081



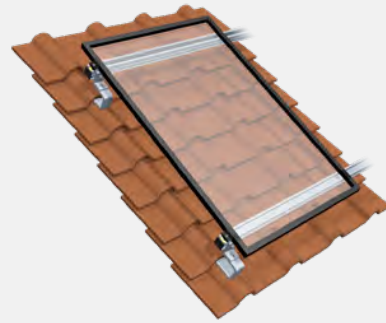
**TRI-CLIP end clamp** Standard

- black 30 mm, item no.: 1503143
- black 35 mm, item no.: 1503100
- black 40 mm, item no.: 1503101
- blank 30 mm, item no.: 1503142
- blank 35 mm, item no.: 1503082
- blank 40 mm, item no.: 1503083

\* Information on lengths and part numbers on request.

## LEARN MORE

Videos, planning and contact



Simply scan the QR code or visit the following link to get more information about TRI-CLIP clamping system.

[www.tritec-energy.com/en/pv-mounting-systems/tri-clip/](http://www.tritec-energy.com/en/pv-mounting-systems/tri-clip/)



Just scan the QR code or visit the following link to watch the training video on our TRI-DESIGN planning software.

<https://www.youtube.com/watch?v=S9WGviC8x2I>

### The optimal mounting solution for every roof

TRITEC mounting systems combine over 30 years of photovoltaic experience. Our own products TRI-STAND, TRI-ROOF+, TRI-CLIP and TRI-FLAT Easyspeed offer optimum PV mounting solutions for the various requirements of different roof types and alignments. We attach great importance to the high-quality processing of the components as well as to the durability of the substructure.

For further information on our products and services, please visit our website at [www.tritec-energy.com](http://www.tritec-energy.com) or our online shop at [shop.tritec-energy.com](http://shop.tritec-energy.com).

You can also contact our experts directly at any time, who will be happy to answer any questions you may have.

Contact us at  
[info@tritec-energy.com](mailto:info@tritec-energy.com)

Website & online shop  
[www.tritec-energy.com](http://www.tritec-energy.com)  
[shop.tritec-energy.com](http://shop.tritec-energy.com)