

# TRITEC

ENERGY FOR A BETTER WORLD

## TRI-STAND

The smart insertion system for PV systems on standing seam sheet metal.

- simple
- quick
- efficient

### The main advantages:

- Floating rooftop system, therefore no thermal separation necessary
- Low material requirements due to single-layer rail system
- Simple, quick and efficient installation
- Considerable time and thus cost saving
- Optimum load distribution and stability
- Suitable for all common framed solar modules

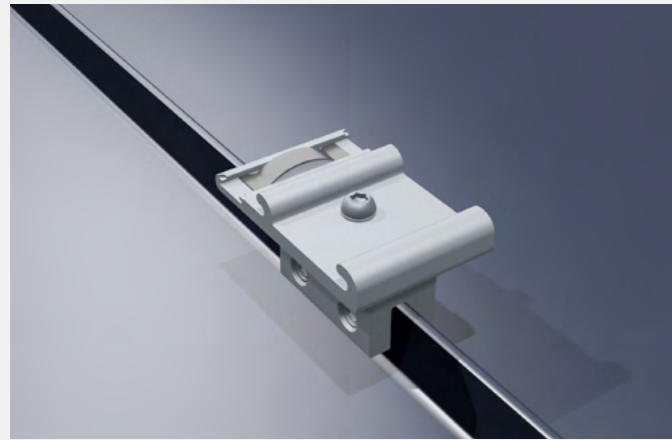
[www.tritec-energy.com](http://www.tritec-energy.com)

# TRI-STAND FOR STANDING SEAM SHEET METAL

This way you easily increase your efficiency

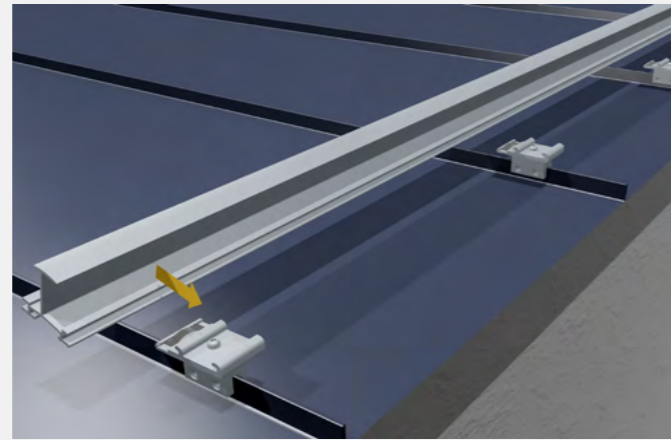
Realize your projects in an unbeatably short time: The smart planning software, the few components and the patented SafeClick assembly enable an extremely quick, safe and simple installation of the PV insertion system TRI-STAND on the roof. The PV modules are easily inserted into the insertion profiles and are held in place by their own weight. Additional fastening of the modules is completely unnecessary.

## TRI-STAND is installed in just a few steps



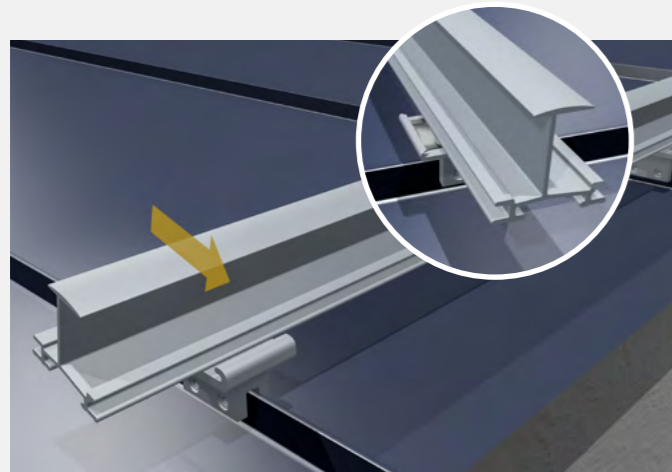
### 1. Mounting SafeClick

The tried and tested SafeClick is mounted directly on the standing seam, including the M8 standing seam clamp.



### 2. Place the SafeClicks in a row

Fit the SafeClicks including standing seam clamps in a row, complete assembly and fit the insert profile in place.



### 3. Clicking the TS insert profiles into the SafeClick

The insertion profiles are clicked into the SafeClick and are floatingly connected to the roof. Damage to the roof and module caused by thermal expansion is thus avoided.



### 4. Inserting the modules into the TS insertion profiles

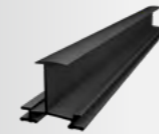
The modules are inserted into the insertion profiles and are held in place by their own weight - there is no need for additional fastening.

# THE SYSTEM COMPONENTS

Extremely fast assembly with few components

With TRITEC you have the choice: Many components of the PV insertion system TRI-STAND are available in the colour selection „black“ and „blank“ (aluminum silver). Completely tailored to your needs: The profiles and variants marked with \* are available in different lengths on request.

Colour key: ● black | ● blank



TRI-STAND insertion profile

● ● Standard

- variants: TS-30/32/35/38/40
- standard 3.7 m; 6 m on request\*
- also available in blank



TRI-STAND end profile

● ● Optional

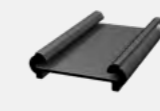
- variants: TS-30/35
- standard 3.7 m; 6 m on request\*
- also available in blank



TRI-STAND double standing seam clamp up to 7 mm

● ● Standard

- pre-assembled incl. SafeClick
- item no.: 1503183



TRI-STAND insertion profile connector TS-C

● ● Standard

- black, item no.: 1502417
- blank, item no.: 1502216



TRI-STAND end bracket TS-E

● ● Standard

- black, item no.: 1502307
- blank, item no.: 1502214

\* Information on lengths and part numbers on request.

## LEARN MORE

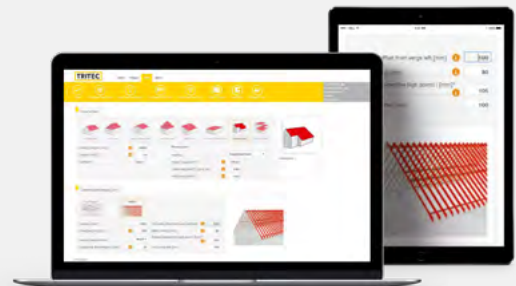
Videos, planning and contact

# TRITEC



Simply scan the QR code or visit the following link to get more information about TRI-STAND for standing seam sheet metal, such as installation video, installation instructions and references.

[www.tritec-energy.com/en/pv-mounting-systems/standing-seam-sheet-metal/](http://www.tritec-energy.com/en/pv-mounting-systems/standing-seam-sheet-metal/)



Just scan the QR code or visit the following link to watch the training video on our TRI-DESIGN planning software.

<https://www.youtube.com/watch?v=S9WGVIC8x2I>

### The optimal mounting solution for every roof

TRITEC mounting systems combine nearly 40 years of photovoltaic experience. Our own products TRI-STAND, TRI-ROOF+, TRI-CLIP Ready, TRI-FLAT Easyspeed and Easygreen offer optimum PV mounting solutions for the various requirements of different roof types and alignments. We attach great importance to the high-quality processing of the components as well as to the durability of the substructure.

For further information on our products and services, please visit our website at [www.tritec-energy.com](http://www.tritec-energy.com) or our online shop at [shop.tritec-energy.com](http://shop.tritec-energy.com).

You can also contact our experts directly at any time, who will be happy to answer any questions you may have.

Contact us at  
[info@tritec-energy.com](mailto:info@tritec-energy.com)

Website & online shop  
[www.tritec-energy.com](http://www.tritec-energy.com)  
[shop.tritec-energy.com](http://shop.tritec-energy.com)