

TRITEC

ENERGY FOR A BETTER WORLD

TRI-STAND

The smart insertion system for PV systems on trapezoidal sheet metal.

- simple
- quick
- efficient

The main advantages:

- Floating rooftop system, therefore no thermal separation necessary
- Simple, quick and efficient installation
- Considerable time and thus cost saving
- Optimum load distribution and stability
- Suitable for all common framed solar modules

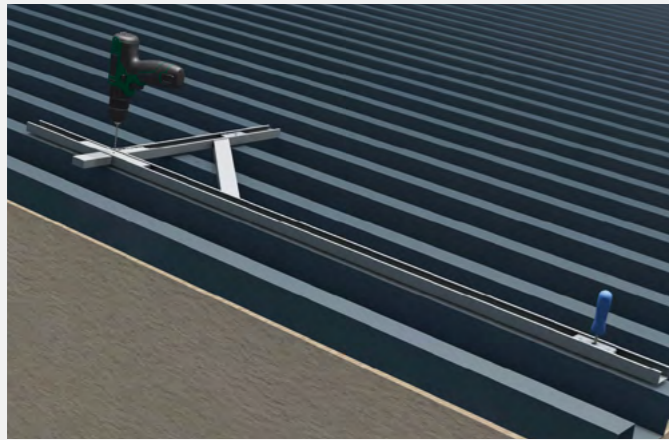
www.tritec-energy.com

TRI-STAND FOR TRAPEZOIDAL SHEET METAL

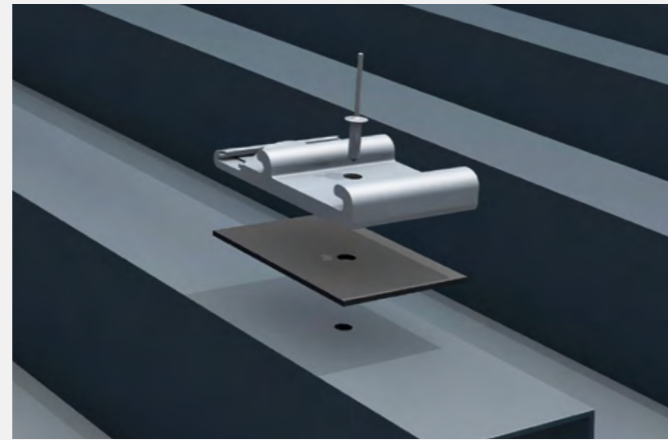
This way you easily increase your efficiency

Realize your projects in an unbeatably short time: The smart planning software, the few components and the patented SafeClick assembly enable an extremely quick, safe and simple installation of the PV insertion system TRI-STAND on the roof. The PV modules are easily inserted into the insertion profiles and are held in place by their own weight. Additional fastening of the modules is completely unnecessary.

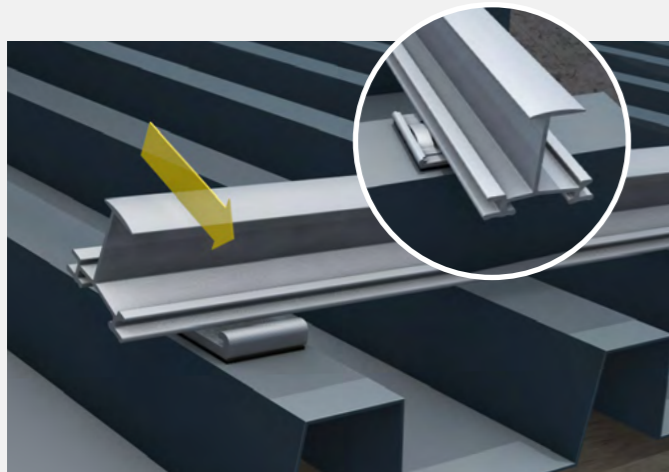
TRI-STAND is installed in just a few steps



1. Measuring and predrilling the module field
According to the design plan, the module field is measured on the roof. Then the trapezoidal sheet metal covering is pre-drilled using the TRITEC drilling jig.



2. Riveting the SafeClick onto the trapezoidal sheet
The proven SafeClick is mounted directly onto the trapezoidal sheet metal by rivet¹, whereby considerably fewer fastening points become necessary.



3. Clicking the TS insert profiles into the SafeClick
The insertion profiles are clicked into the SafeClick and are floatingly connected to the roof. Damage to the roof and module caused by thermal expansion is thus avoided.



4. Inserting the modules into the TS insertion profiles
The modules are inserted into the insertion profiles and are held in place by their own weight - there is no need for additional fastening.

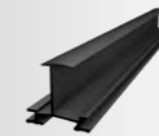
¹ Also available as screw version with TRI-STAND thin sheet metal screw 6.0 x 25 DS.

THE SYSTEM COMPONENTS

Extremely fast assembly with few components

With TRITEC you have the choice: Many components of the PV insertion system TRI-STAND are available in the colour selection „black“ and „blank“ (aluminum silver). Completely tailored to your needs: The profiles and variants marked with * are available in different lengths on request.

Colour key: ● black | ● blank



TRI-STAND insertion profile
● Standard
• variants: TS-30/32/35/38/40
• standard 3.7 m; 6 m on request*
• also available in blank



TRI-STAND end profile
● Optional
• variants: TS-30/35
• standard 3.7 m; 6 m on request*
• also available in blank



TRI-STAND Special SafeClick
● Standard
• pre-assembled incl. rivet & seal
• black, item no.: 1503075
• blank, item no.: 1502987



TRI-STAND insertion profile connector TS-C
● Standard
• black, item no.: 1502417
• blank, item no.: 1502216



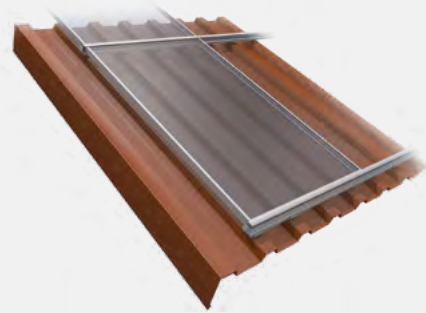
TRI-STAND end bracket TS-E
● Standard
• black, item no.: 1502307
• blank, item no.: 1502214

* Information on lengths and part numbers on request.

LEARN MORE

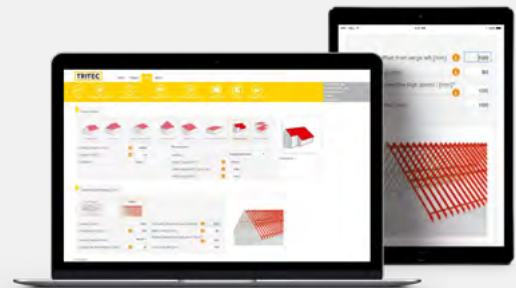
Videos, planning and contact

TRITEC



Simply scan the QR code or visit the following link to get more information about TRI-STAND for trapezoidal sheet metal, such as installation video, installation instructions and references.

www.tritec-energy.com/en/pv-mounting-systems/trapezoidal-sheet-metal/



Just scan the QR code or visit the following link to watch the training video on our TRI-DESIGN planning software.

<https://www.youtube.com/watch?v=S9WGVIC8x2I>

The optimal mounting solution for every roof

TRITEC mounting systems combine nearly 40 years of photovoltaic experience. Our own products TRI-STAND, TRI-ROOF+, TRI-CLIP Ready, TRI-FLAT Easyspeed and Easygreen offer optimum PV mounting solutions for the various requirements of different roof types and alignments. We attach great importance to the high-quality processing of the components as well as to the durability of the substructure.

For further information on our products and services, please visit our website at www.tritec-energy.com or our online shop at shop.tritec-energy.com.

You can also contact our experts directly at any time, who will be happy to answer any questions you may have.

Contact us at
info@tritec-energy.com

Website & online shop
www.tritec-energy.com
shop.tritec-energy.com