

TRITEC

ENERGY FOR A BETTER WORLD

TRI-STAND EARTHING SYSTEMS

TRITEC earthing components
for pitched roof PV systems.

- simple
- secure
- efficient

The main advantages:

- Effective earthing systems for optimum safety of PV systems on pitched roofs
- High-quality materials and robust construction for efficient protection
- Simple, quick and efficient installation
- Optimum design for different systems
- Suitable for all common TRITEC rooftop systems

www.tritec-energy.com

VARIANTS OF EARTHING SYSTEMS

How to ensure efficient safety

An effective earthing system is essential for the safety of photovoltaic systems on pitched roofs. Our TRI-STAND earthing components offer a reliable solution that has been specially developed for the requirements of mounting solar modules. Thanks to high-quality materials and robust construction, they guarantee the necessary safety and durability under various conditions.

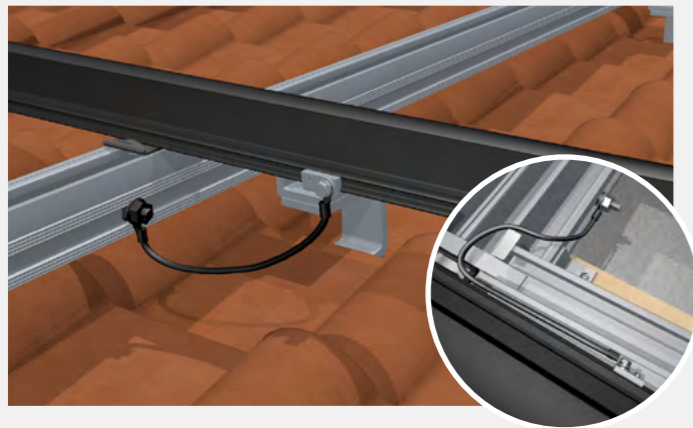
Earthing systems for different variants



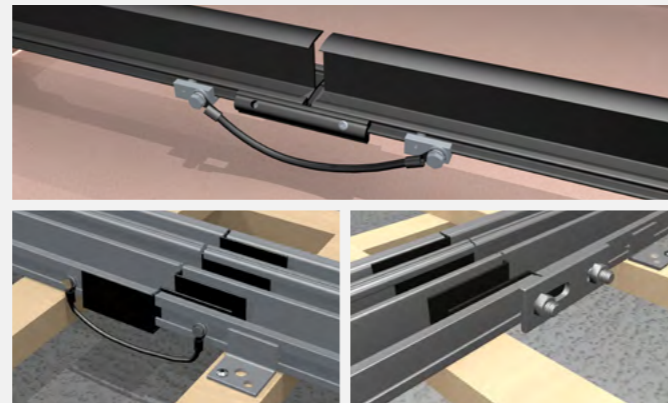
Earthing of vertical profiles in 2-layer insertion systems: The vertical profiles are connected to one another using round wire and TS earthing clamps.
Note for in-roof installations: the round wire should preferably be routed above the inlet plate at the foot end.



Earthing of profile runs in single-layer insertion systems: The round wire is inserted vertically once into the earthing terminal of the TS earthing set 4 and fitted.
Clamping system: The round wire is fitted vertically once to the UP-X profiles using TS earthing terminals.



Earthing of the cross-bracing in two-layer systems
Each TS insertion profile is connected to a vertical UP-X/IP profile using a TS earthing set 3 to ensure reliable earthing.



Earthing of TS/IP rail joints
Single-layer inlay systems: TS inlay profiles are connected and earthed at the rail joint using the TS Earthing Set 1.
TRI-ROOF+ in-roof system: When installed on roof battens, the IP rail joints are connected and earthed at each joint using TS earthing set 2. -> When installed on cross-beams (purlins) with a flat connector fitted at the side, earthing set 2 is not required.

THE EARTHING COMPONENTS





Safe and quick installation with few components

TRITEC earthing systems for single-layer and double-layer PV systems are suitable for various roof types and ensure reliable earthing with just a few components. The use of high-quality materials and a well thought-out design ensure compliance with current safety standards and minimise the risk of electrical faults.





Earthing components for 2-layer PV insertion systems

 <p>Aluminium round wire*</p> <p>Standard</p> <ul style="list-style-type: none"> Item no.: 1350051 1x per PV surface horizontally installed 	 <p>TS earthing terminal for UP- and IP base rail*</p> <p>Standard</p> <ul style="list-style-type: none"> Item no.: 1350052 1x per vertical profile strand 	 <p>Earthing terminal UNI</p> <p>Standard</p> <ul style="list-style-type: none"> Item no.: 1350062 1x per PV area 	 <p>TRI-ROOF+ Flachverbinder</p> <p>Standard</p> <ul style="list-style-type: none"> Item no.: 1502308
 <p>TS earthing set 2 (connection IP rail joint for in-roof)**</p> <p>Standard</p> <ul style="list-style-type: none"> Item no.: 1350021 1x per vertical rail step 	 <p>TS earthing set 3 (connection TS rail track with vertical profile)**</p> <p>Standard</p> <ul style="list-style-type: none"> Item no.: 1350022 1 x per TS-profile rail section 		

Earthing components for 1-layer PV insertion systems

 <p>Aluminium round wire*</p> <p>Standard</p> <ul style="list-style-type: none"> Item no.: 1350051 1x per PV surface installed vertically 	 <p>Earthing terminal UNI</p> <p>Standard</p> <ul style="list-style-type: none"> Item no.: 1350062 1x per PV area 	 <p>TS earthing set 1 (TS rail joint connection)</p> <p>Standard</p> <ul style="list-style-type: none"> Item no.: 1350020 1x per horizontal rail step 	 <p>TS earthing set 4 (connection TS rail strands to each other)</p> <p>Standard</p> <ul style="list-style-type: none"> Item no.: 1350053 1x per TS track
---	---	---	---

Earthing components for 1-layer PV clamping systems

 <p>Aluminium round wire*</p> <p>Standard</p> <ul style="list-style-type: none"> Item no.: 1350051 1x per PV surface installed vertically 	 <p>TS earthing terminal for UP- and IP base rail*</p> <p>Standard</p> <ul style="list-style-type: none"> Item no.: 1350052 1x per vertical profile strand 	 <p>Earthing terminal UNI</p> <p>Standard</p> <ul style="list-style-type: none"> Item no.: 1350062 1x per PV area 	 <p>TS earthing set 1 (TS rail joint connection)***</p> <p>Standard</p> <ul style="list-style-type: none"> Item no.: 1350020 1x per horizontal rail step
---	--	---	--

* For anodised profiles, it may be necessary to remove the anodised layer at the contact points to ensure electrical conductivity.

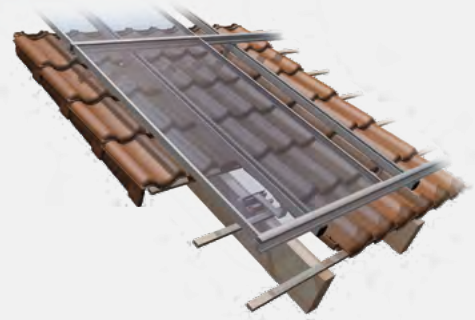
** The following accessories from the regular range are required for fastening: Hammer head screws and lock nuts.

*** Required only for TRI-CLIP Ready

LEARN MORE

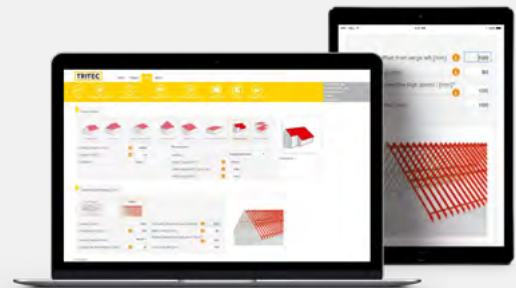
Videos, planning and contact

TRITEC



Simply scan the QR code or visit the following link for more information about our PV mounting systems.

<https://www.tritec-energy.com/en/pv-mounting-systems/>



Just scan the QR code or visit the following link to watch the training video on our TRI-DESIGN planning software.

<https://www.youtube.com/watch?v=S9WGviC8x2I>

The optimal mounting solution for every roof

TRITEC mounting systems combine nearly 40 years of photovoltaic experience. Our own products TRI-STAND, TRI-ROOF+, TRI-CLIP Ready, TRI-FLAT Easyspeed and Easygreen offer optimum PV mounting solutions for the various requirements of different roof types and alignments. We attach great importance to the high-quality processing of the components as well as to the durability of the substructure.

For further information on our products and services, please visit our website at www.tritec-energy.com or our online shop at shop.tritec-energy.com.

You can also contact our experts directly at any time, who will be happy to answer any questions you may have.

Contact us at
info@tritec-energy.com

Website & online shop
www.tritec-energy.com
shop.tritec-energy.com